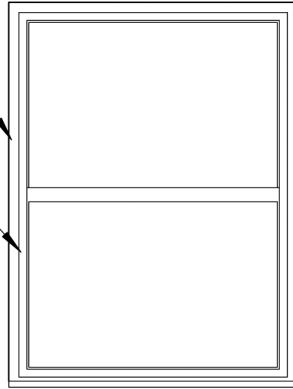


# CLIMATE SEAL™

THE WORLD'S BEST THERMAL, ACOUSTIC, PRESERVATION WINDOW INSERTS

EXISTING DOUBLE HUNG WINDOW FRAME

CLIMATE SEAL FRAME - MOUNTED JUST INSIDE EXISTING FRAME

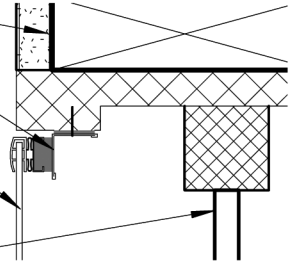


WALL ABOVE/ WIN. HEADER

15/16" ANGLE

ACRYLIC GLAZING

EXISTING WINDOW

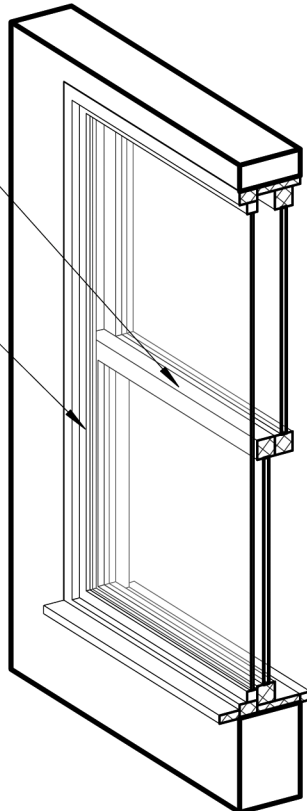


## HEAD DETAIL

SCALE: 3" = 1'-0"

EXISTING DOUBLE HUNG WINDOW FRAME

CLIMATE SEAL FRAME - MOUNTED INSIDE EXISTING FRAME



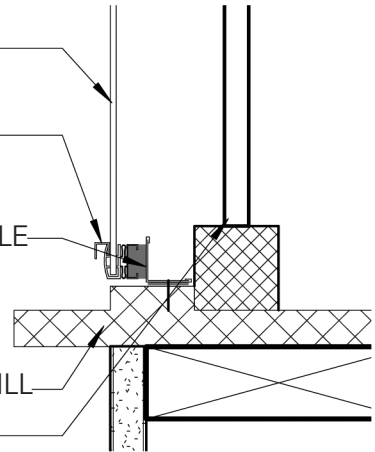
ACRYLIC GLAZING

3" GRAB HANDLE

15/16" ANGLE

WINDOW SILL

EXISTING WINDOW



## SILL DETAIL

SCALE: 3" = 1'-0"

## Climate Seal Win. - Standard Inside Angle Mount

Scale as indicated

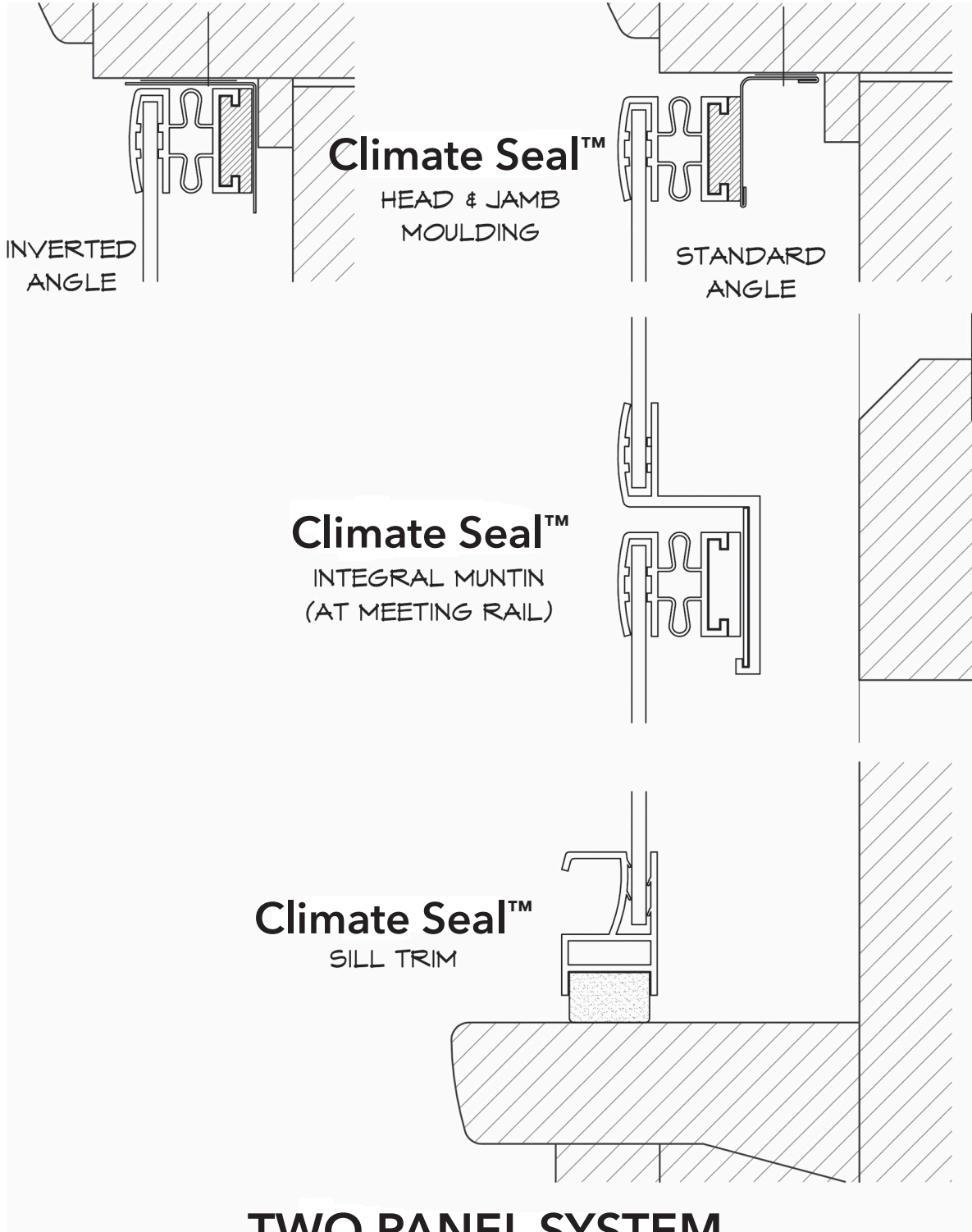
Toll Free: 877.773.7379 • E-mail: [sales@climateseal.com](mailto:sales@climateseal.com) • Website: [www.climateseal.com](http://www.climateseal.com)

Manufactured by Acoustical Surfaces, Inc., 123 Columbia Court North, Chaska, MN 55318



# CLIMATE SEAL™

THE WORLD'S BEST THERMAL, ACOUSTIC, PRESERVATION WINDOW INSERTS



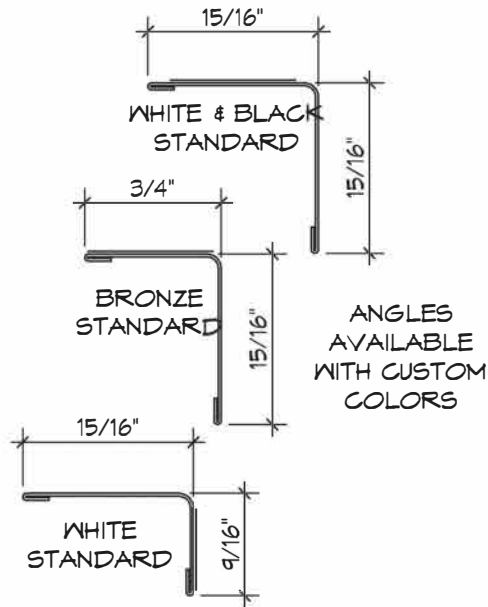
Toll Free: 877.773.7379 • E-mail: [sales@climateseal.com](mailto:sales@climateseal.com) • Website: [www.climateseal.com](http://www.climateseal.com)

Manufactured by Acoustical Surfaces, Inc., 123 Columbia Court North, Chaska, MN 55318



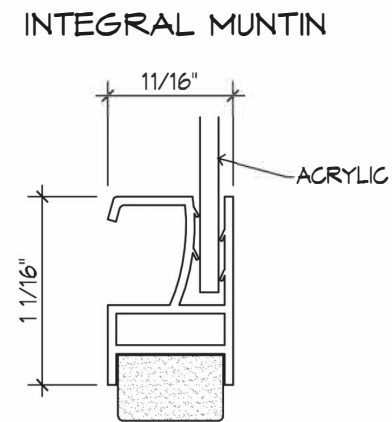
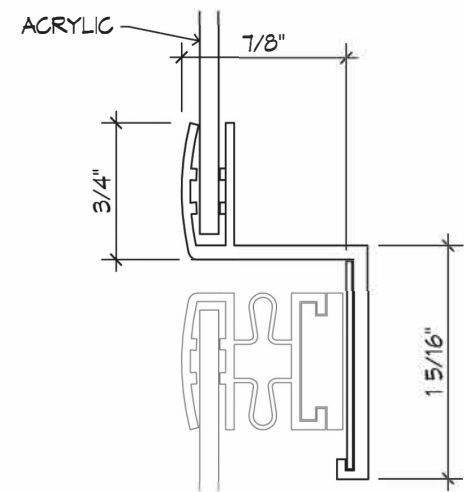
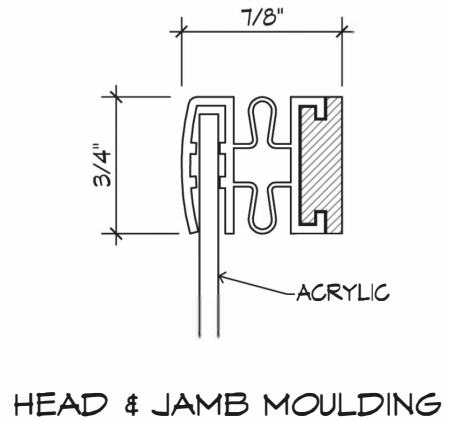
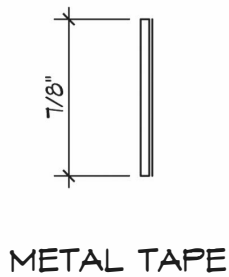
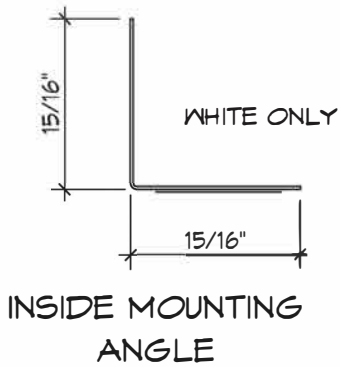
# CLIMATE SEAL™

THE WORLD'S BEST THERMAL, ACOUSTIC, PRESERVATION WINDOW INSERTS



ANGLES AVAILABLE WITH CUSTOM COLORS

STANDARD MOUNTING ANGLES



Toll Free: 877.773.7379 • E-mail: [sales@climateseal.com](mailto:sales@climateseal.com) • Website: [www.climateseal.com](http://www.climateseal.com)

Manufactured by Acoustical Surfaces, Inc., 123 Columbia Court North, Chaska, MN 55318